



# DPI 1000R


## IN-SEAM ROTARY DRILL

The DPI1000R rotary drill rig is specifically designed for complex rotary drilling programs in explosive underground environments.


The rig is exceptionally flexible in setup with horizontal pinning in position, drilling heights of 930 - 2,450 mm and a feed-frame tilt angle of +/-20 degrees.

The low profile and flexible drilling heights is achieved by utilizing a remote power pack spaced up to 15m from the DPI1000R drill.





6550 Nm Rotation Torque  
With 750 Max Rpm




Chuck Style Rod  
Clamp With  
338Kn Axial  
Holding Force




+/- 20 Deg Tilting  
Feed Frame




Drilling Height  
Range From  
930 mm Up To  
2450 mm



4 Horizontal Stingers for  
Flexible Setup



1m Feed Stroke Producing  
143Kn Push / Pull Force



IECx Certified, Flame Proof  
Electrical Enclosure

# Specifications

Feed Frame	(metric)	(US imperial)
Type	Twin cylinder	
Feed Stroke	1040 mm	
Push Force	143 kN @ 300 bar	
Pull Force	143 kN @ 300 bar	
Carriage Speed	0-25 m/min	
Minimum Drilling Height	940 mm	
Maximum Drilling Height	2450 mm	
Tilt	+ / - 25 deg	

Chuck & Rod Clamp	(metric)	(US imperial)
Type	Hydraulic open, spring close	
Max opening (with jaws)	90 mm	3.54 in
Number of jaws	9	
Axial Holding Capacity	338 kN	75,986 lbf

Rotation Unit	(metric)	(US imperial)
Speed	0 - 750 rpm	
Max Torque @ 300 bar	6550 Nm	4,831 lbf ft

Hydraulic System	(metric)	(US imperial)
Manufacturer	FMC	
Model	L1122	
Flow Rate	298 L/min @ 300 bar	78 gal/min @ 4,350 psi
Discharge Pressure	100 bar	1,450 psi



# Specifications

Electric Motor	(metric)	(US imperial)
Manufacturer	Baldor	
Size & Type	220 kW (300 hp), certified flame proof	
Power requirements	950V / 50 Hz	
* Can be designed to match underground power available		

Water pump	(metric)	(US imperial)
Manufacturer	FMC	
Model #	L1622	
Flow rate	318 l/min	70 gal/min
Discharge pressure	90 bar	1,305 psi

Stingers	(metric)	(US imperial)
Jacks (4 X Horiz. Opposed)	89.8 kN @ 100bar	69,690 lbf



# Dimensions

## DRILL

OVERALL WIDTH  
1730 mm (68.1 in)

OVERALL LENGTH  
3360 mm (132 in)

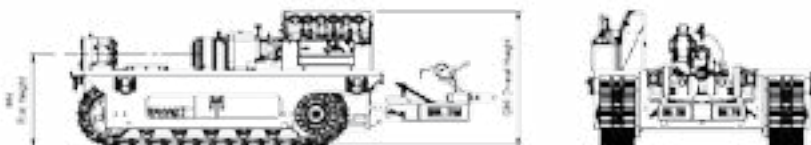
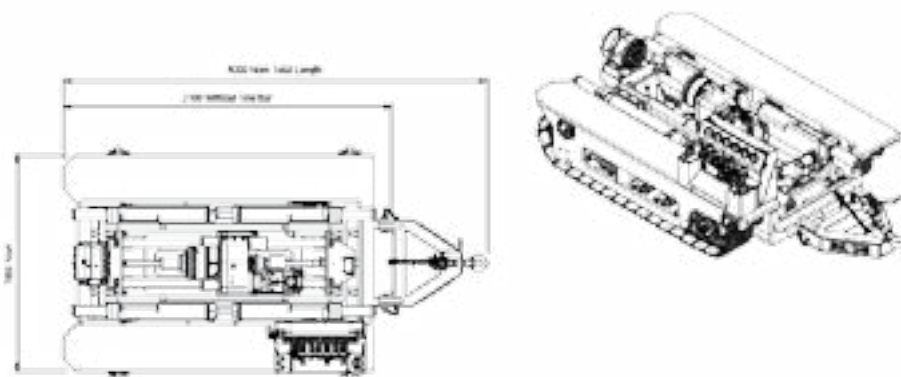
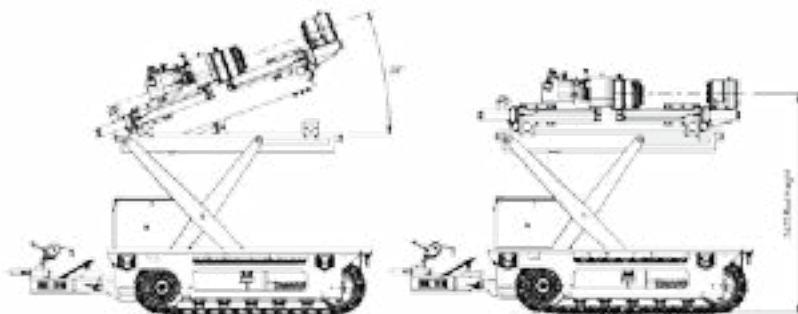
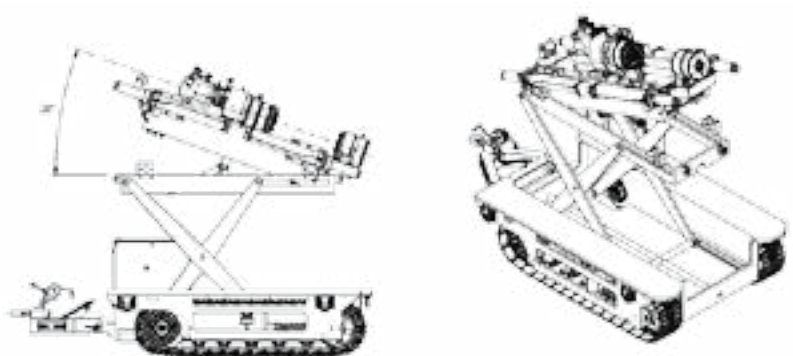
TOTAL HEIGHT  
1730 mm (68.1 in)

## POWER PACK

OVERALL WIDTH  
2320 mm (91.3 in)

OVERALL LENGTH  
3770 mm (148 in)

TOTAL HEIGHT  
2020 mm (79.5 in)





DPI is a global manufacturer of field-proven directional drilling equipment, including:

- + DDMS  
(Directional Drilling Management System)
- + Down Hole Motors
- + Bits and Hole Openers
- + RCS Rods
- + Drill Rigs
- + All Ancillary Equipment

We bring real-world experience and the means to deliver equipment on-demand to anywhere in the world.





250 W. Berger Lane  
Salt Lake City, Utah 84107 USA

Tel +1 (801) 269-1881

Fax +1 (801) 281-2880

[www.drillingproductsinc.com](http://www.drillingproductsinc.com)